



TecnoBrick[®]
by  **TecnolIndustries[®]**

HORIZON
Brochure



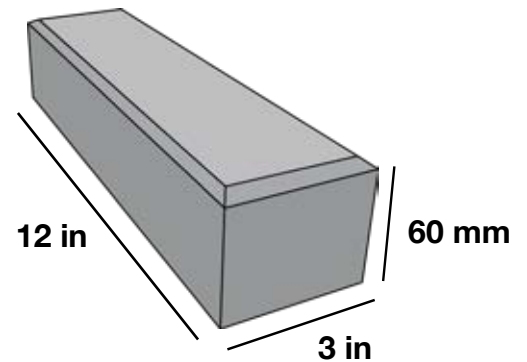


HORIZON

Modern and contemporary shape, guaranteed to stand out in all landscaping projects.

Benefits

- * Color can be modified and customized to fit any project's design
- * Shape, joints and color guaranteed to withstand heavy use, any weather conditions and UV light
- * Suitable for any setting: patios, gardens & sidewalks



Technical Information

Pallet: 624 units

Pallet Coverage: 156.08 ft²

Units per ft²: 4.0 units/ft²

Unit Weight: 6.88 lbs/unit

Compressive Strength: 3,000 psi

Absorption: < 9%

Application: Pedestrian Use and Medium Vehicular Use

Available Colors



01-L

91-AB

71-CL

71

66-CL

80

62

41



31

51

53

81

29

21

91

91-D



