

Campestre Club in Monterrey, MX



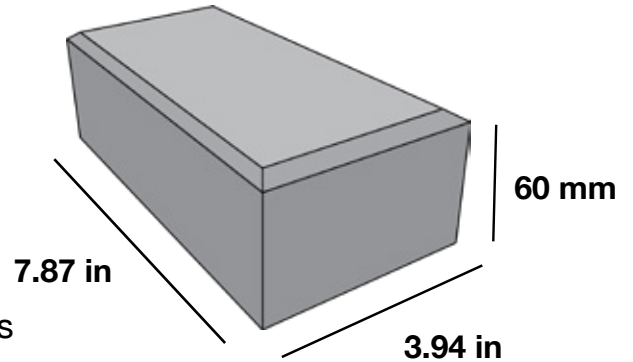


HOLLAND STONE

Offers durability and beauty to any architectural project

Benefits

- * Color can be modified and customized to fit any project's design
- * Shape, joints and color guaranteed to withstand heavy use, any weather conditions and UV light
- * Suitable for any setting: patios, driveways & sidewalks



Technical Information

Pallet: 480 units

Pallet Coverage: 103.33 ft²

Units per ft²: 4.64 units/ ft²

Unit Weight: 5.58 lbs/unit

Compressive Strength: 3,000 psi

Absorption per Unit: < 17%

Application: Pedestrian and Light Vehicular Use

Available Colors



01

01-L

91-AB

71-CL

71

66-CL

80

62

41



31

51

53

81

29

21

91

91-D

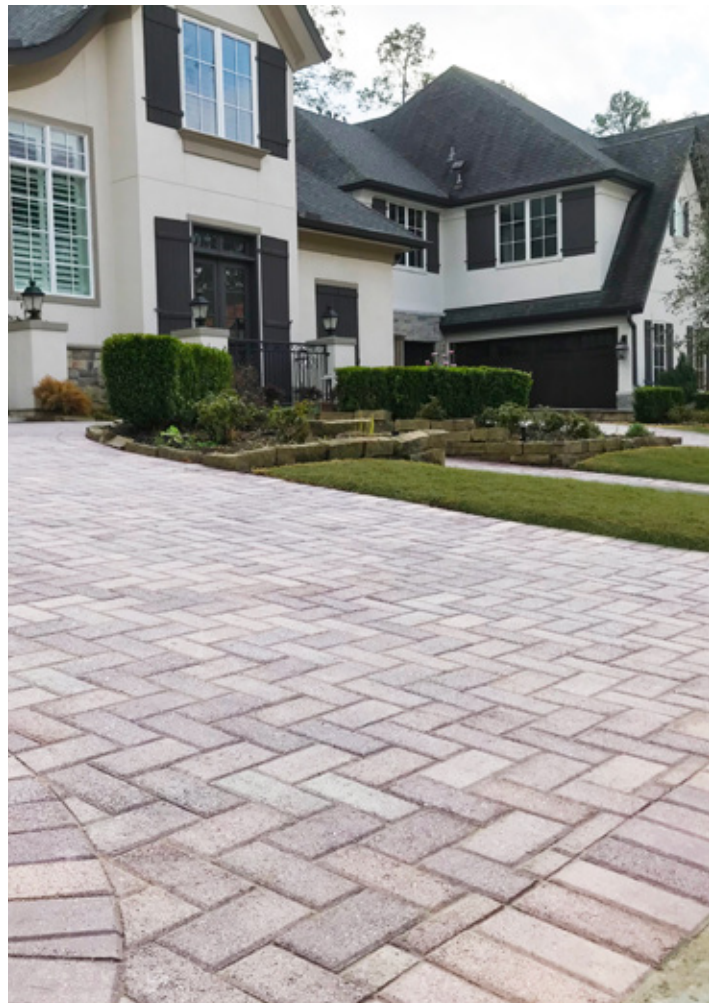
HOLLAND STONE



Arbolada Shopping Center, Monterrey, MX



La Proeza Apartments, Mty, MX



Residencial Project, TX, USA

