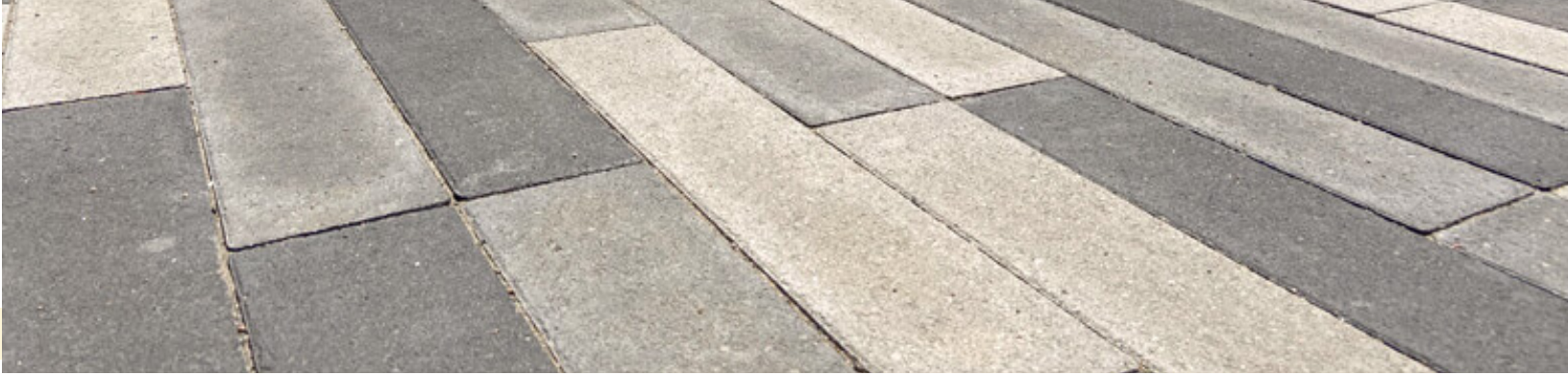




TecnoBrick[®]
by  **TecnolIndustries**[®]

HORIZON
Brochure





HORIZON

Modern and contemporary shape, guaranteed to stand out in all landscaping projects.

Benefits

- * Color can be modified and customized to fit any project's design
- * Shape, joints and color guaranteed to withstand heavy use, any weather conditions and UV light
- * Suitable for any setting: patios, gardens & sidewalks

Technical Information

HORIZON 60 MM

Pallet: 456 units

Pallet Coverage: 114.0 ft²

Units per ft²: 4.0 units/ft²

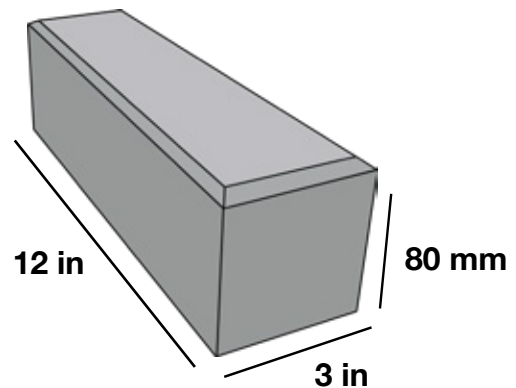
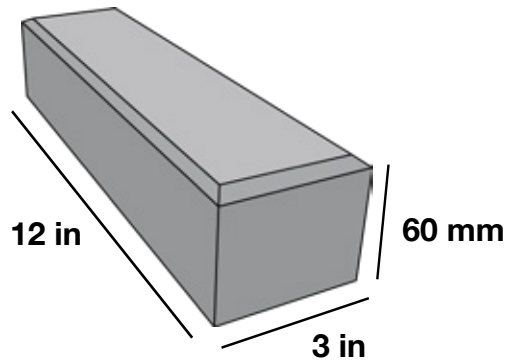
Unit Weight: 6.17 lbs/unit

Compressive Strength: 3,000 psi

Absorption per Unit: < 17%

Application: Pedestrian Use

HORIZON 80 MM

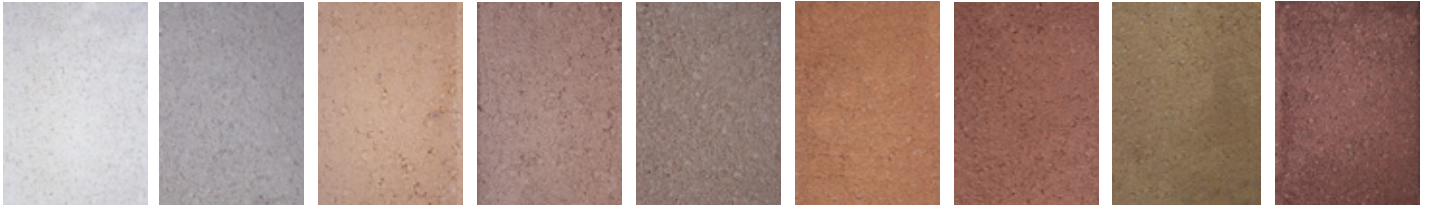


Available April 2023

HORIZON



Available Colors



01

01-L

91-AB

71-CL

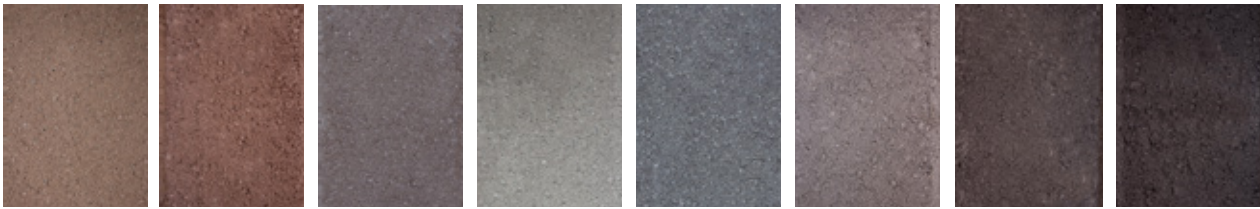
71

66-CL

80

62

41



31

51

53

81

29

21

91

91-D



